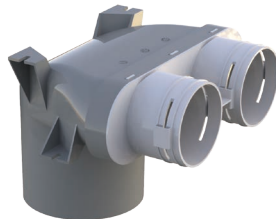


# SYSTEM 75

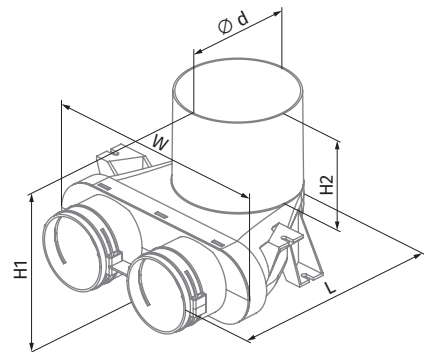
## Connectors

### CEILING-MOUNTED PLASTIC CONNECTOR FLEXIVENT 0812125/75x2

For supply and exhaust systems in residential premises.  
Ceiling mounted.  
Connecting the ventilation grille to  $\varnothing 75$  mm ducts.



Dimensions [mm]	$\varnothing d$ (inner)	H1	H2	L	W
FlexiVent 0812125/75x2	127	183	100	243	266



- Connection diameters: 75 mm.
- Ducts are fastened with Flexivent 03 locks, purchased separately.
- The duct is fitted with a FlexiVent 0575 slip-on seal to retain air-tightness class "S" (available as an accessory).
- Made of polypropylene (PP) with thermoplastic elastomer (SEBS).
- Operating temperature: from -20 to +60 °C.

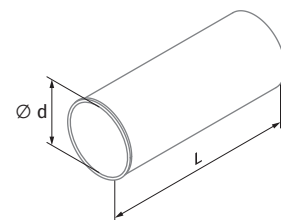
### Accessories

### FLEXIVENT 12125 PLENUM DUCT

For supply and exhaust systems in residential premises.  
For extension of ducts of ceiling-mounted FlexiVent 0812125/75x2 plenums.



Dimensions [mm]	$\varnothing d$ (inner)	L
FlexiVent 12125	127	302



- Connection diameter: 125 mm.
- Made of polypropylene (PP) with thermoplastic elastomer (SEBS).
- Operating temperature: from -20 to +60 °C.